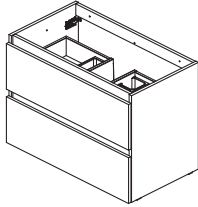
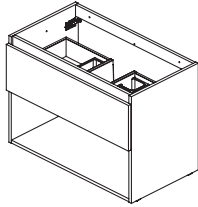


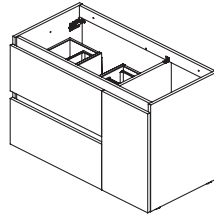
60-80-100



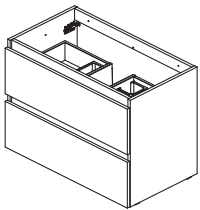
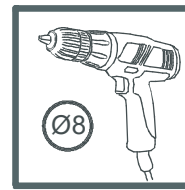
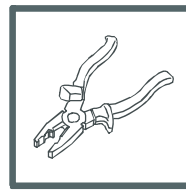
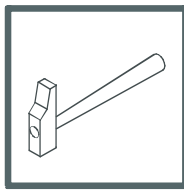
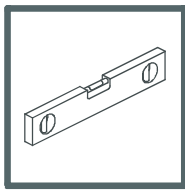
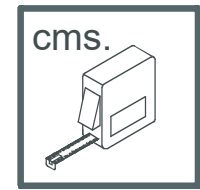
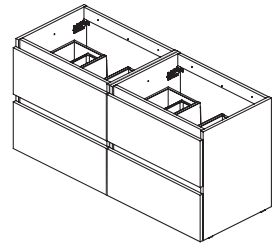
60-80-100



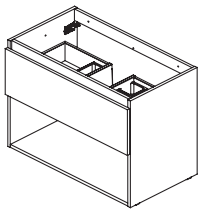
90



60+60



60-80-100



60-80-100



x2

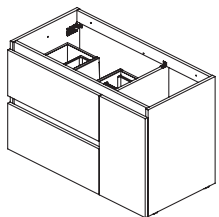


x4



x4

BO-719



90



x3

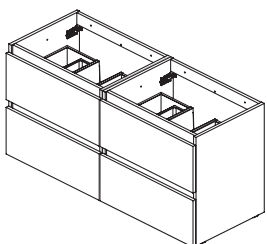


x6



x6

BO-719



60+60



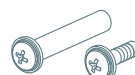
x4



x8



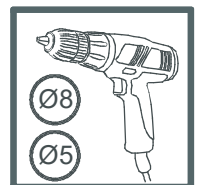
x8



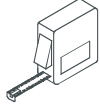
x4

BO-719

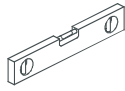
BO-266



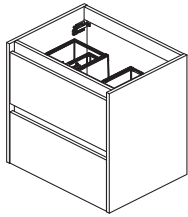
01.



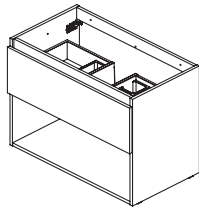
cms.



L:59,5cms. → X=53,5cms.
 L:79,5cms. → X=73,5cms.
 L:99,5cms. → X=93,5cms.



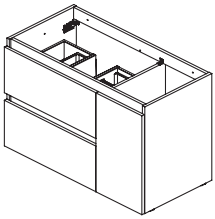
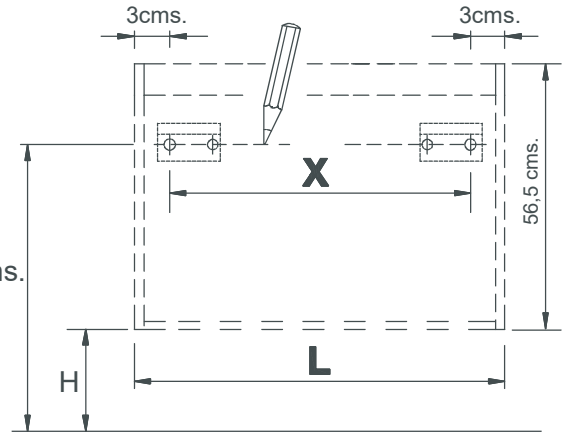
60-80-100



60-80-100



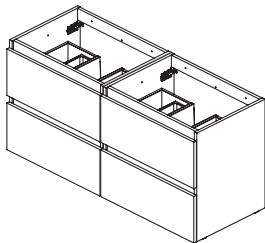
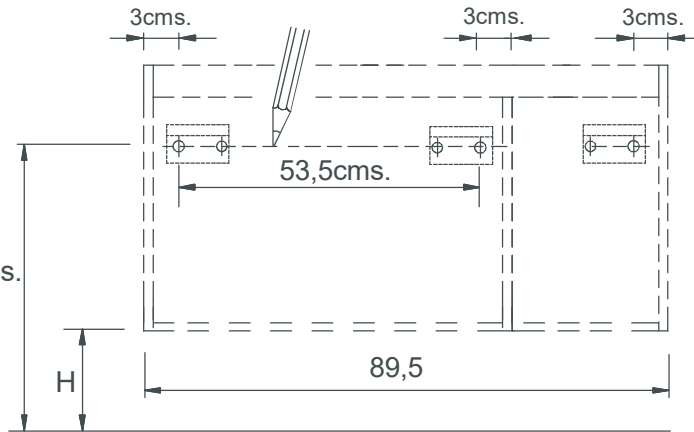
H+45,7cms.



90



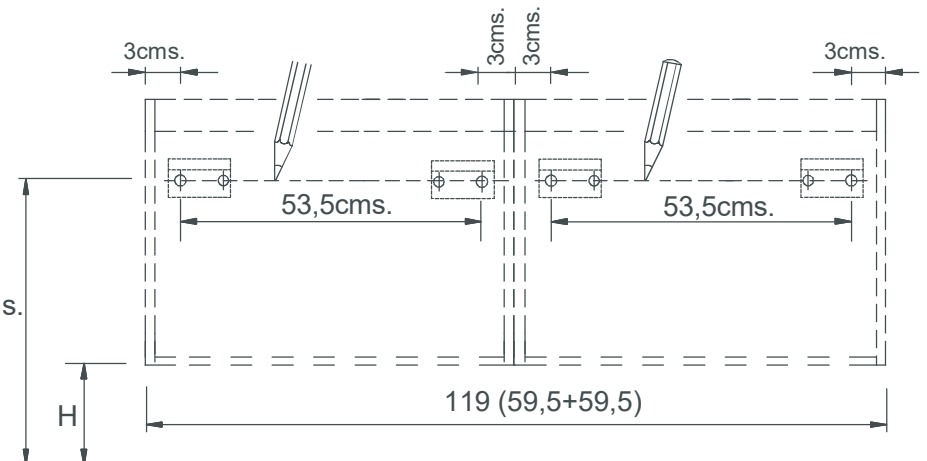
H+45,7cms.



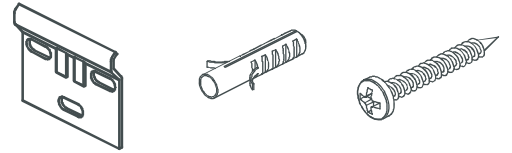
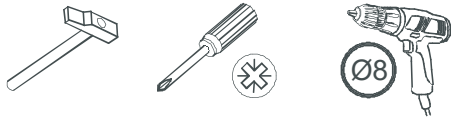
60+60



H+44,5cms.

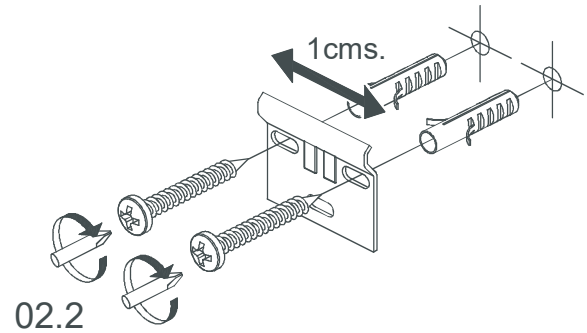
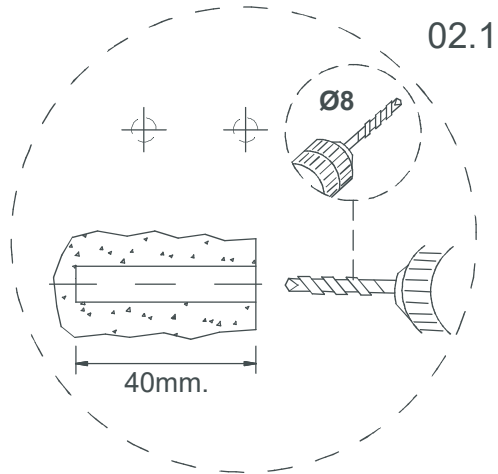


02.

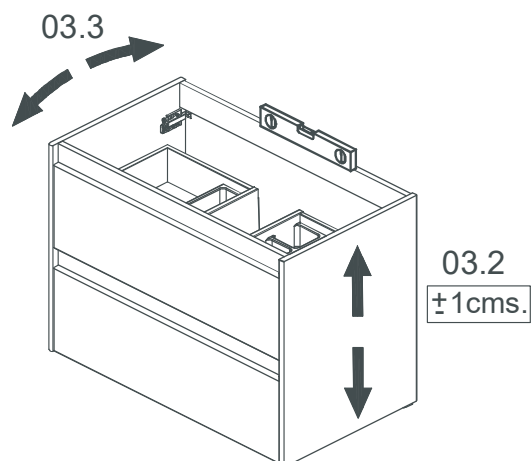
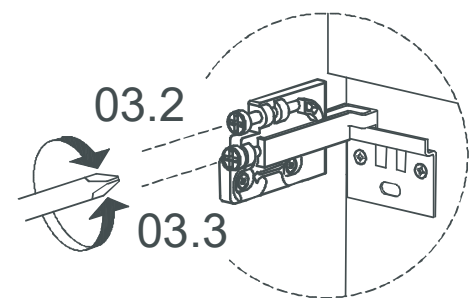
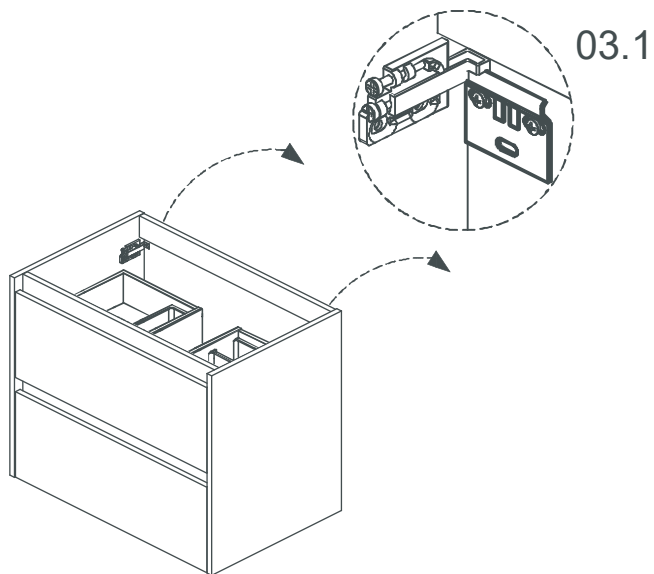
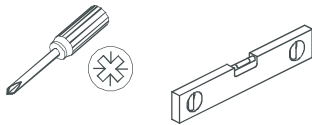


MLV-60/80/100	x2	x4	x4
MLV-90	x3	x6	x6
MLV-60+60	x4	x8	x8

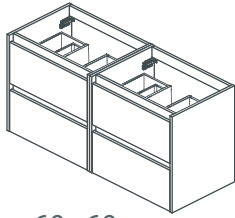
BO-719



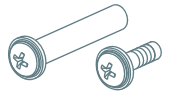
03.



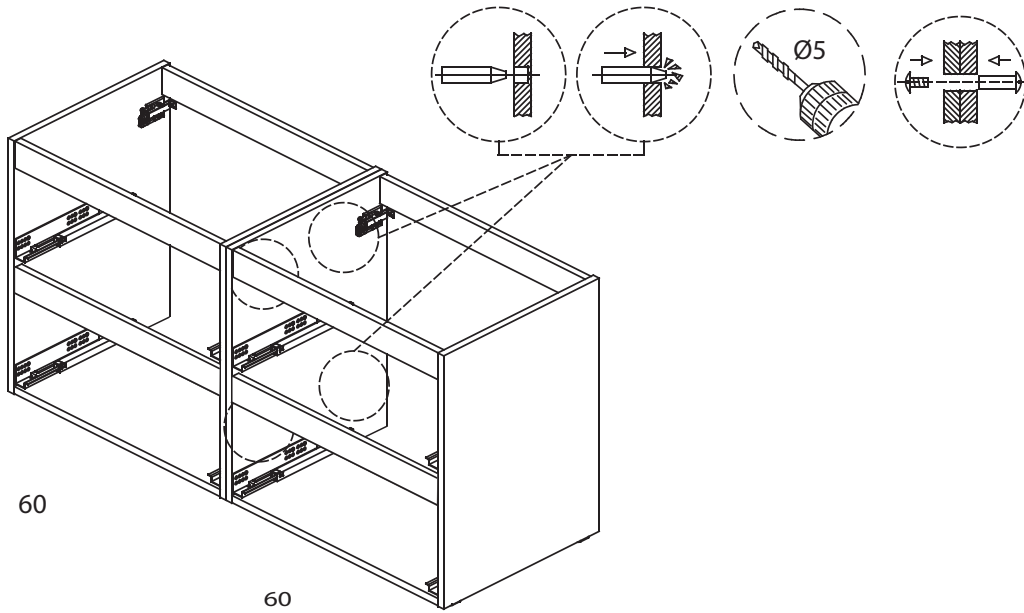
04.



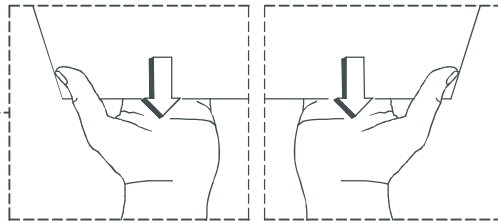
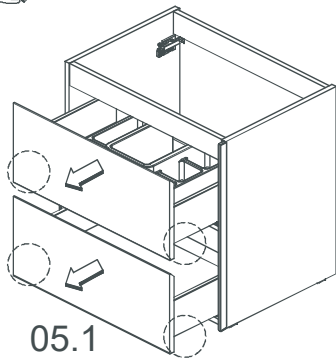
60+60



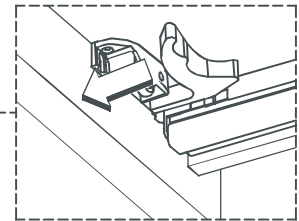
x4



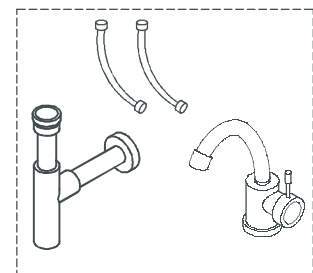
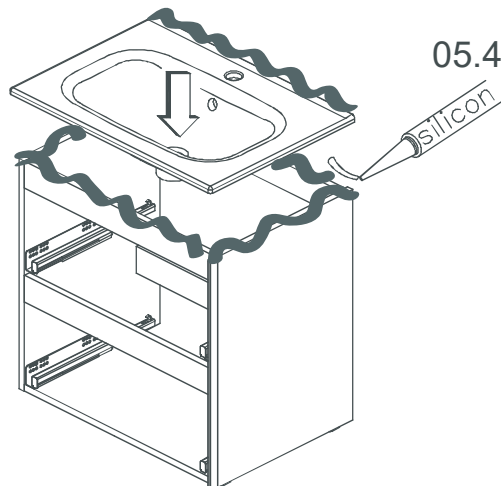
05.



05.2

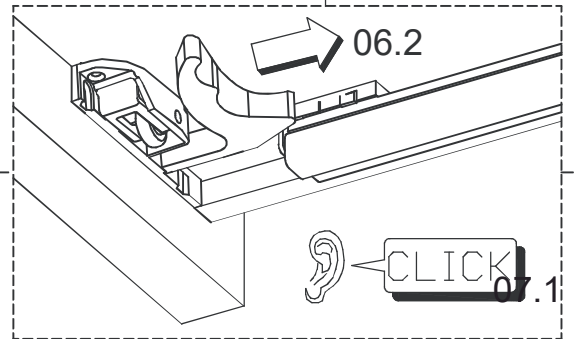
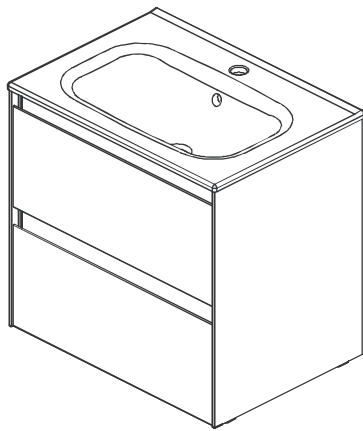
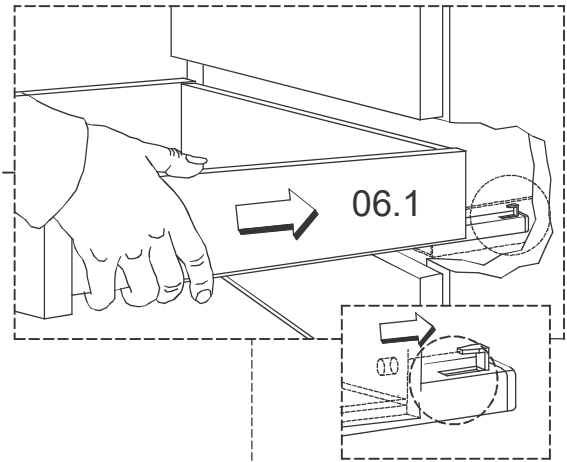
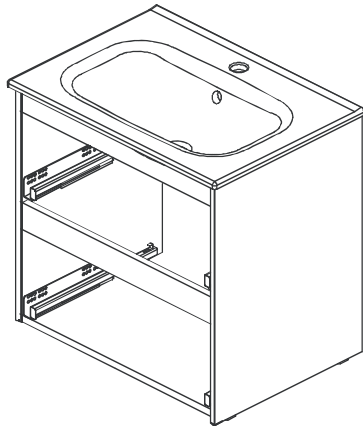


05.3

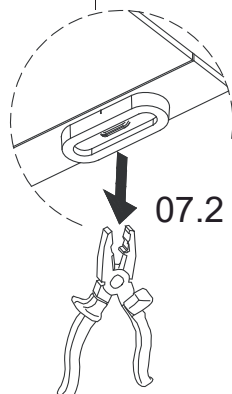
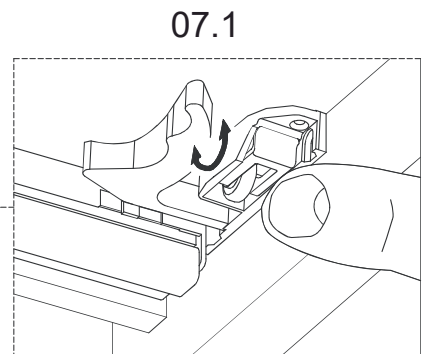
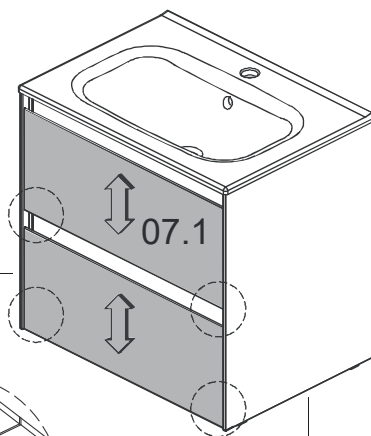


05.5

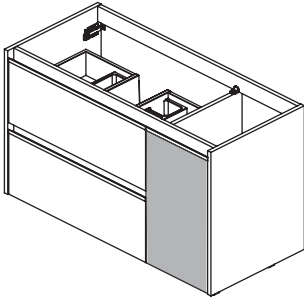
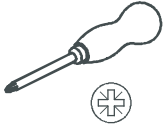
06.



07.

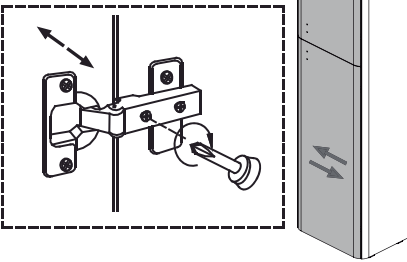


08.

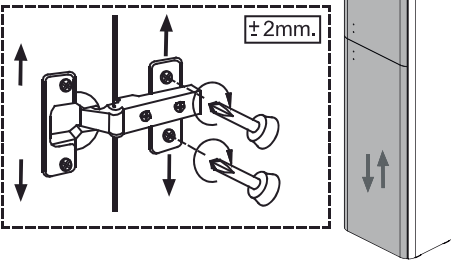


90

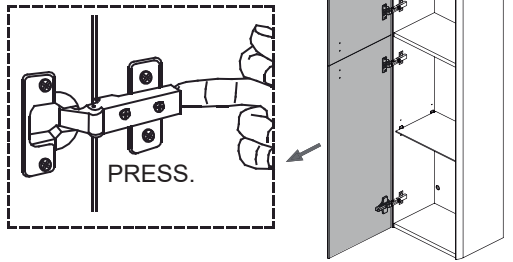
08.1



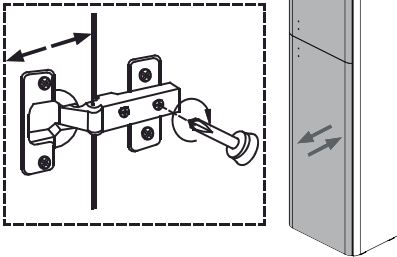
08.2



08.3



08.4



08.5

